

Anterior/Posterior Disposable Vitrectomy Cutters

20g - 23g - 25g - 27g

Vitrectomy Cutters

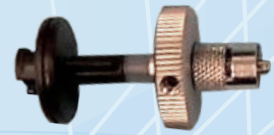
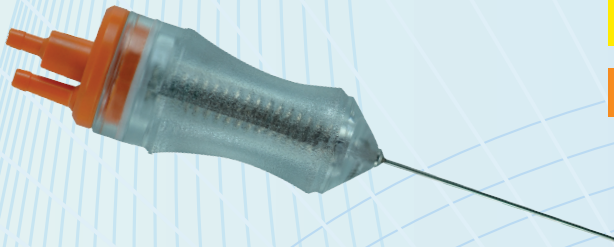
Color codes:

Yellow 20G

Blue 25G

Orange 23G

Violet 27G



AK-0341



AK-0340/7

Most popular Instruments and their working pressure

INSTRUMENT	PSI	PSI Aktive cutters	Max CPM	20G	23G	25g	27g
ALCON Legacy	20	20	800 single cut 1600 dual cut	AK-0201/AA single cut AK-0201/AA2 dual cut	AK-0231/AA single cut AK-0231/AA2 dual cut		
BAUSCH LOMB Millennium	20	20	800 single cut 1600 dual cut	AK-0215/AB single cut AK-0215/AB2 dual cut	AK-0245/AB single cut AK-0245/AB2 dual cut	AK-0275/AB single cut AK-0275/AB2 dual cut	AK-0294/AB single cut AK-0294/AB2 dual cut
GEUDER Megatron S3	20	20	2000 single cut 4000 dual cut	AK-0200/BA single cut AK-0200/BA2 dual cut	AK-0230/BA single cut AK-0230/BA2 dual cut	AK-0260/BA single cut AK-0260/BA2 dual cut	AK-0286/BA single cut AK-0286/BA2 dual cut
RUCK Pentasys/2	25	25	3000 single cut 6000 dual cut	AK-0206/AA single cut AK-0206/AA2 dual cut	AK-0236/AA single cut AK-0236/AA2 dual cut	AK-0266/AA single cut AK-0266/AA2 dual cut	AK-0288/AA single cut AK-0288/AA2 dual cut
RUCK Qube	25	25	5500 single cut 11000 dual cut	AK-0208/AB single cut AK-0208/AB2 dual cut	AK-0238/AB single cut AK-0238/AB2 dual cut	AK-0268/AB single cut AK-0268/AB2 dual cut	AK-290/AB single cut AK-290/AB2 dual cut
GEUDER Megatron S4(single chamber)	26-27	26-27	6000 single cut 12000 dual cut	AK-0207/BA single cut AK-0207/BA2 dual cut	AK-0237/BA single cut AK-0237/BA2 dual cut	AK-0267/BA single cut AK-0267/BA2 dual cut	AK-0289/BA single cut AK-0289/BA2 dual cut
AMO Signature	29	29	2500 single cut 5000 dual cut	AK-0203/AB single cut AK-0203/AB2 dual cut	AK-0233/AB single cut AK-0233/AB2 dual cut		
OPTIKON Assistant – Pulsar –Antares– AMO Gemini	30	30	2000 single cut 4000 dual cut	AK-0210/AB single cut AK-0210/AB2 dual cut	AK-0240/AB single cut AK-0240/AB2 dual cut	AK-0270/AB single cut AK-0270/AB2 dual cut	AK-0292/AB single cut AK-0292/AB2 dual cut
OPTIKON Revo Smart	30	30	5000 single cut 10000 dual cut	AK-0204/AC single cut AK-0204/AC2 dual cut	AK-0234/AB single cut AK-0234/AB2 dual cut	AK-0264/AC single cut AK-0264/AB2 dual cut	AK-0284/AB single cut AK-0284/AB2 dual cut
AMO Sovereign	33	33	800 single cut 1600 dual cut	AK-0202/AA single cut AK-0202/AA2 dual cut	AK-0232/AA single cut AK-0232/AA2 dual cut		
OERTLI OS4	35-37	35-37	5000 single cut 10000 dual cut	AK-0209/EAA single cut AK-0209/EAA2 dual cut	AK-0239/EAA single cut AK-0239/EAA2 dual cut	AK-0269/EAA single cut AK-0269/EAA2 dual cut	AK-0291/EAA single cut AK-0291/EAA2 dual cut
ALCON Accurus	42	42	2000 single cut 4000 dual cut	AK-0220/AC single cut AK-0220/AC2 dual cut	AK-0250/AC single cut AK-0250/AC2 dual cut	AK-0280/AC single cut AK-0280/AC2 dual cut	AK-0295/AC single cut AK-0295/AC2 dual cut
B&L Stellaris	42	42	5000 single cut 10000 dual cut	AK-0205/BF single cut AK-0205/BF2 dual cut	AK-0235/BF single cut AK-0235/BF2 dual cut	AK-0265/BF single cut AK-0265/BF2 dual cut	AK-0287/BF single cut AK-0287/BF2 dual cut
DORC Associate HIGH SPEED/ULTRAVIT	42	42	6000 single cut 12000 dual cut	AK-0219/AC single cut AK-0219/AC2 dual cut	AK-0249/AC single cut AK-0249/AC2 dual cut	AK-0279/AC single cut AK-0279/AC2 dual cut	AK-0287/AC single cut AK-0297/AC2 dual cut
DORC EVA	42	42*	8000 single cut 16000 dual cut	AK-0221/GC single cut AK-0221/GC2 dual cut	AK-0251/GC single cut AK-0251/GC2 dual cut	AK-0281/GC single cut AK-0281/GC2 dual cut	AK-0298/GC single cut AK-0298/GC2 dual cut
OPTIKON Revolution	43	43	6000 single cut 12000 dual cut	AK-0211/AB single cut AK-0211/AB2 dual cut	AK-0241/AB single cut AK-0241/AB2 dual cut	AK-0271/AB single cut AK-0271/AB2 dual cut	AK-0293/AB single cut AK-0293/AB2 dual cut
ZEISS Visalis	43	43	6000 single cut 12000 dual cut	AK-0211/AB single cut AK-0211/AB2 dual cut	AK-0241/AB single cut AK-0241/AB2 dual cut	AK-0271/AB single cut AK-0271/AB2 dual cut	AK-0293/AB single cut AK-0293/AB2 dual cut
ALCON Infiniti	52	52	800 single cut 1600 dual cut	AK-0226/AD single cut AK-0226/AD2 dual cut	AK-0256/AD single cut AK-0256/AD2 dual cut		
ALCON Constellation	52	52*	7500 single cut 15000 dual cut	AK-0225/ABB single cut AK-0225/ABB2 dual cut	AK-0255/ABB single cut AK-0255/ABB2 dual cut	AK-0285/ABB single cut AK-0285/ABB2 dual cut	AK-0299/ABB single cut AK-0299/ABB2 dual cut

*needs adapter

First letter of the code represents the type of connector for the aspiration. Following letters (1 or 2) represent the pressure line connectors. If there is the number 2 it means it is a dual cut

To choose the most suitable Vit cutter for your equipment you need to know:

- PSI of the instrument.
- The maximum cutting speed (CPM)**.
- The gauge (20-23-25-27g).
- Single cut or dual cut blade.

If you do not know the operating pressure of your equipment (expressed in psi) refer to the table you see above, which shows the values of the most popular equipments. Once you know your reference PSI, go to the table of AKTIVE vit cutters and position yourself on the PSI corresponding to your value. You may find for the same PSI value different suggestions. Choose in the row that is closest in CPM value. Now that you have located the model that comes closer for PSI and CPM you can decide on the gauge and whether the blade should be single cut or dual cut. The code will show 2 or 3 letters. The first indicates the type of connector for the aspiration, while the second or third letter represents the type of connector for the pneumatic drive operated by the instrument. Check for correspondence with the list of connectors below. It is important for the user to be aware that AKTive is a vit cutter manufacturer. Many users use AKTive vit cutters with connections to their own equipment. Connection to any of these instruments is the responsibility of the user and in no way constitutes a statement of compatibility

Contact us to help your choice.

** The CPM is given by the manufacturer of the instrument. It represents the maximum impulses the instrument can give to the cutter. Some manufacturers of equipment find easy to say that the machine is 16.000 CPM (in dual cut); the effective impulses are 8.000, applied to a blade that makes the effect double.

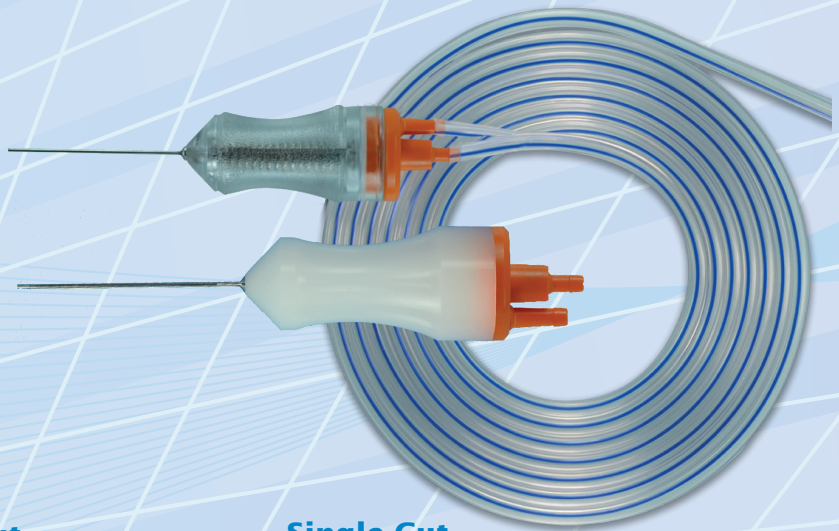
EXAMPLE VIT CUTTER: AK-0255/ABB2

AK-0255	A	B	B	2
Cutter 23g 52 psi	Type of pressure connector	Type of pressure connector	Type of pressure connector	Dual cut

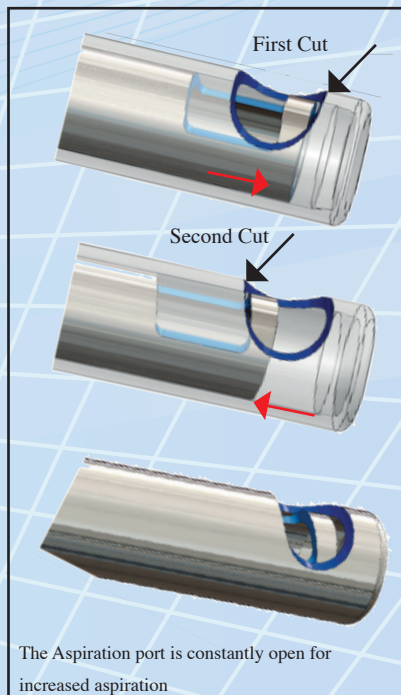
Anterior/Posterior Disposable Vitrectomy Cutters

20g - 23g - 25g - 27g

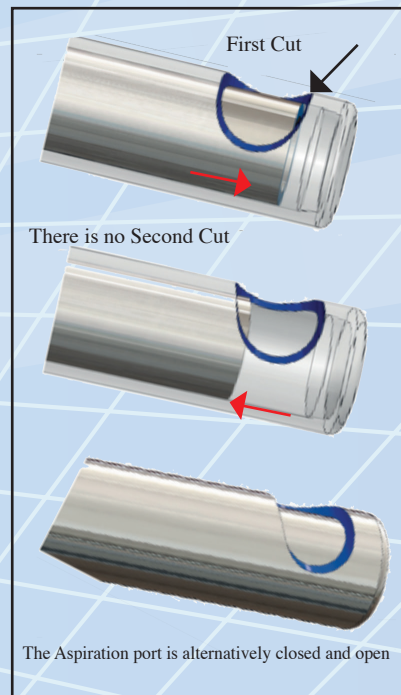
According to the model the body can be transparent or white



Dual Cut



Single Cut



AK-0398

Pressure line adapter, connector A-D
1 per box (non-sterile)
AVAILABLE DIFFERENT COMBINATIONS

Choose your customized connector for your aspiration line and pressure line



A



B



C



D



E



F



G



H